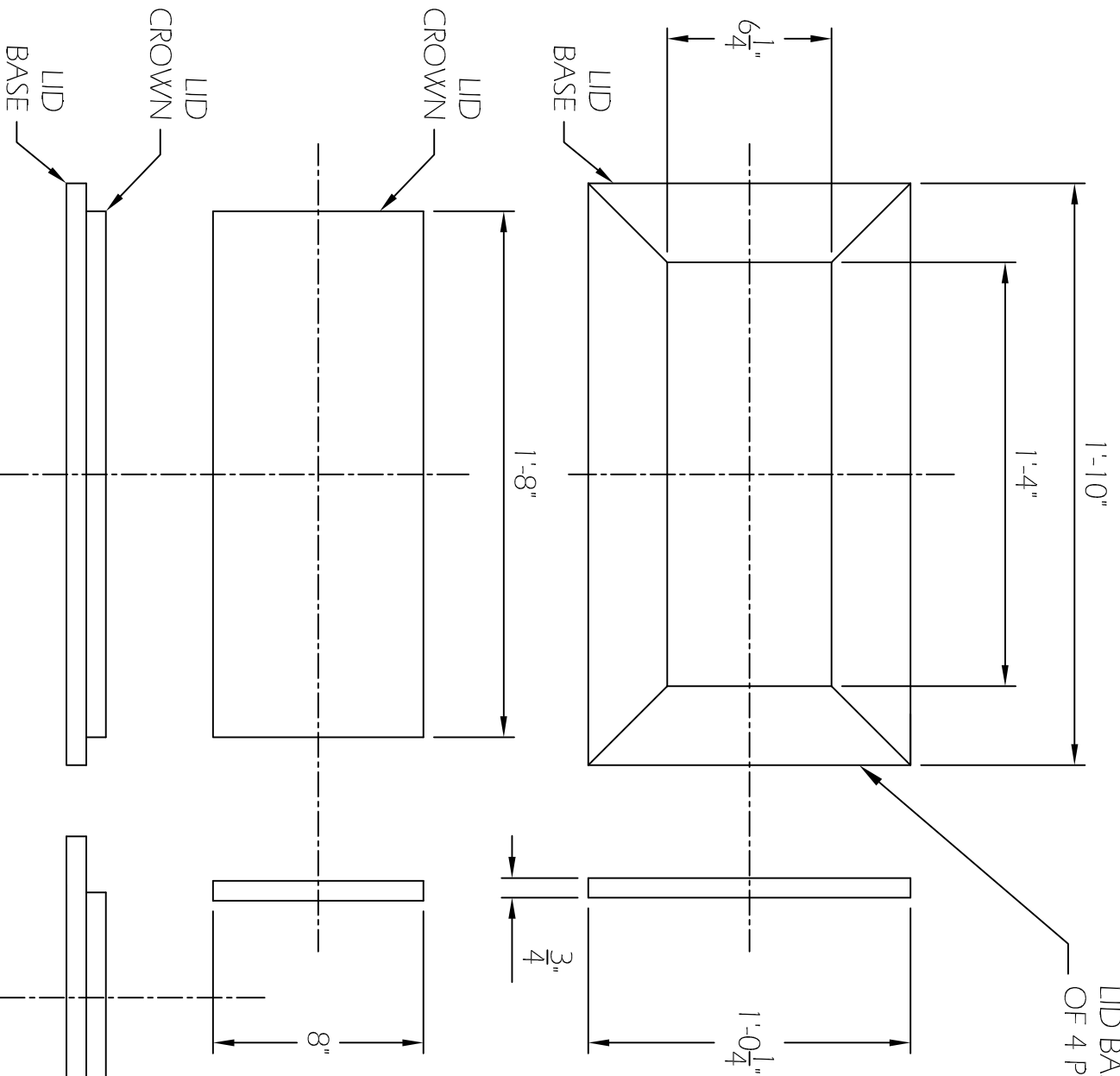
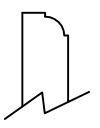


TOP LID OF CASKET

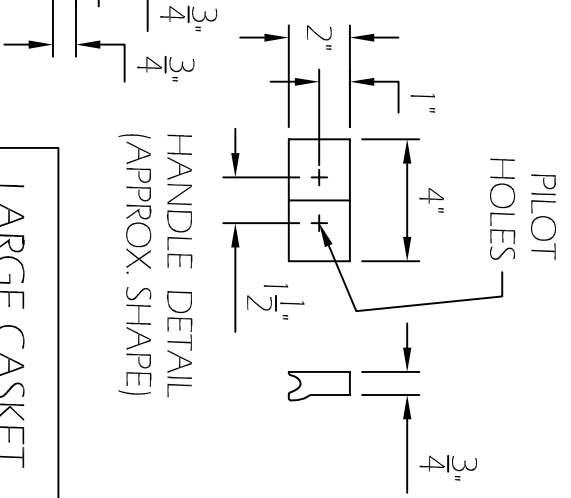
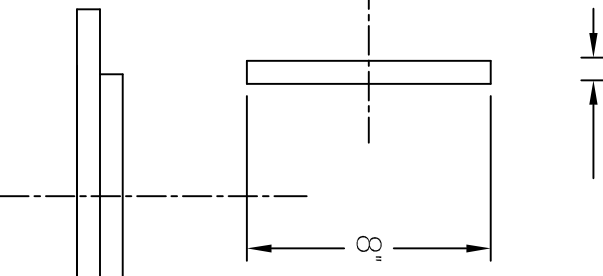


LID BASE IS COMPRISED OF 4 PIECES OF 3/4 PINE

- NOTES:
1. THE TOP EDGE OF THE LID CROWN SHALL BE DADOED WITH FANCY BEVEL
 2. SEE NOTES ON FLOOR AND SIDES DRAWING SHEET FOR FURTHER DETAILS
 3. HANDLES (2) ARE MADE OF PLASTER MOULDING (AVAILABLE DIXIELINE).



TYPICAL DADO DETAIL FOR LID CROWN



LARGE CASKET

LID COMPONENTS
HANDLE DETAIL