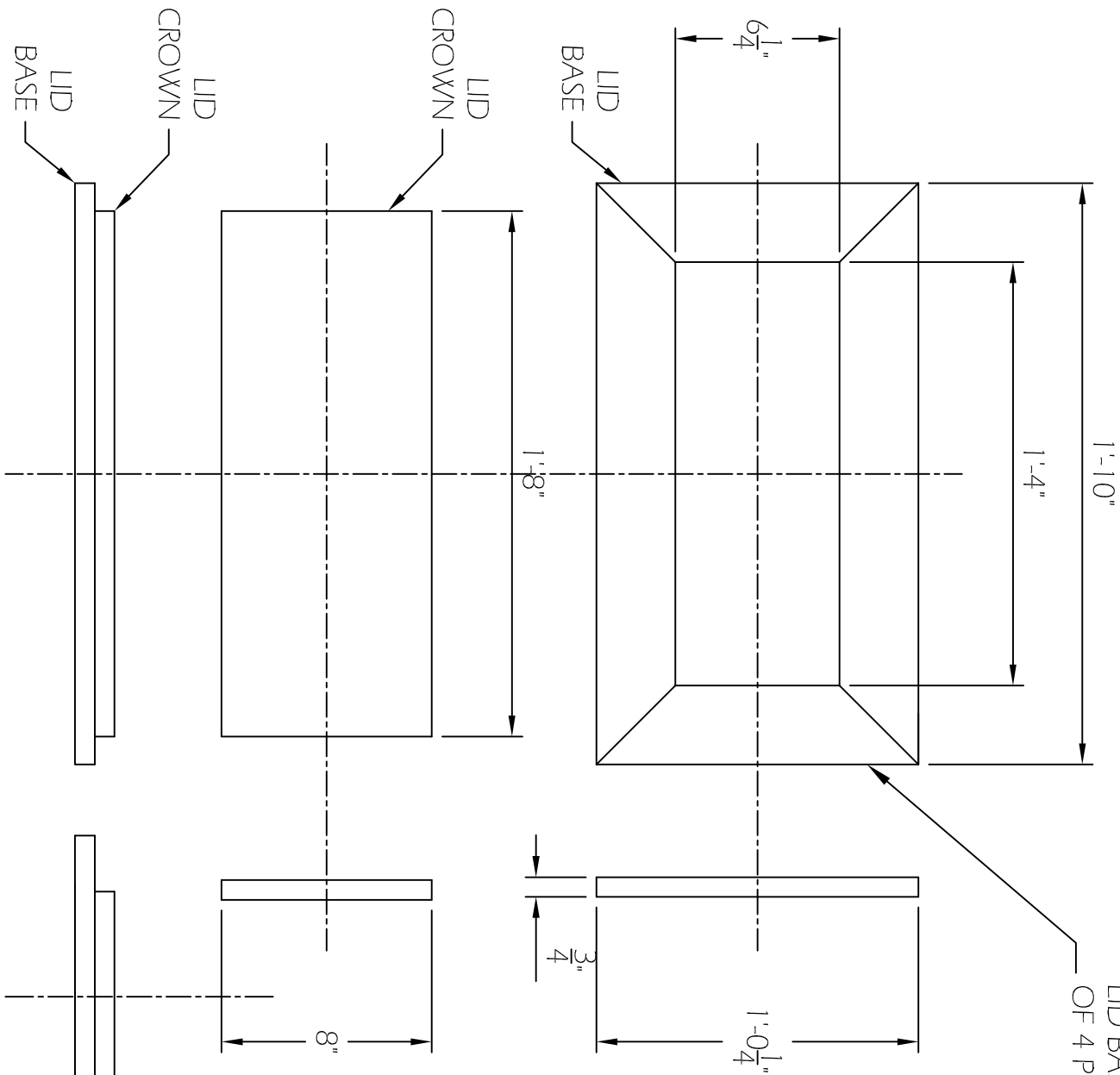
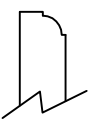


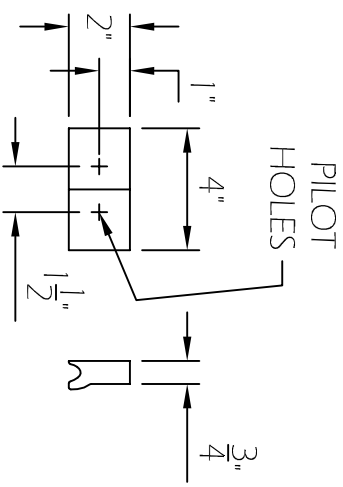
TOP LID OF CASKET



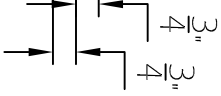
LID BASE IS COMPRISED OF 4 PIECES OF 3/4 PINE



TYPICAL DADO DETAIL FOR LID CROWN



HANDLE DETAIL (APPROX. SHAPE)



- NOTES:
1. THE TOP EDGE OF THE LID CROWN SHALL BE DADOED WITH FANCY BEVEL
  2. SEE NOTES ON FLOOR AND SIDES DRAWING SHEET FOR FURTHER DETAILS
  3. HANDLES (2) ARE MADE OF PLASTER MOULDING (AVAILABLE DIXIELINE).

SMALL CASKET LID COMPONENTS SIDE HANDLES (FLUSH TOP)